



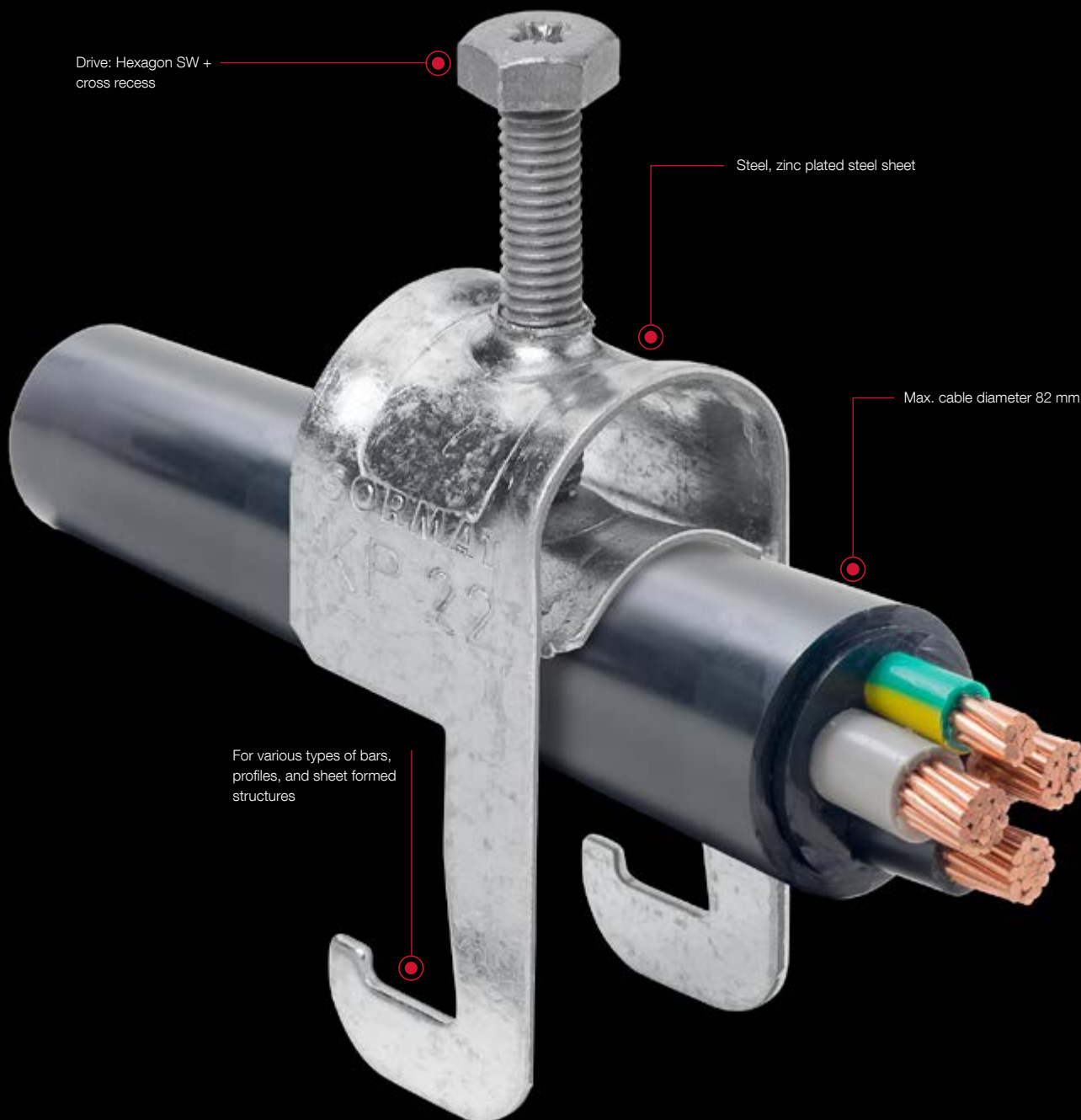
# Cable Clamp KP

For fastening, separating and organizing cables



# Cable Clamp KP

For fastening, separating and organizing cables



## Further products



KK



KL



KR



KL/2



KR/2



KR/3



KKKS

## Cable Clamp KP



### Applications

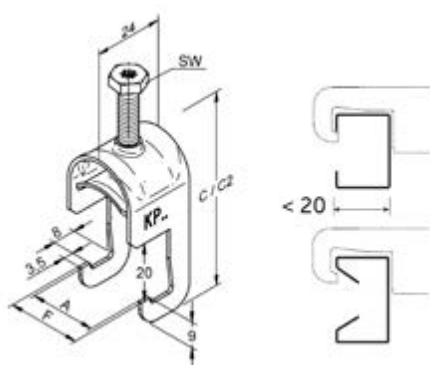
- > For clamping cables, tubes and other elongated elements quickly and neatly
- > Can be attached to various types of bars, profiles, and sheet formed structures
- > For cable supply in indoor buildings
- > For outdoor applications on telecommunication masts
- > Cable supply for machine areas

### Technical data



### Properties

- > Steel, zinc plated steel sheet
- > Fire resistance 90 min, see Test report no. PB 3.2/19-244-1



Order description	A	F <sub>max</sub>	C	AF	max. cable diameter [mm]	Box	Article number
KP 12	14	18	48	10	12	200	9 640 013 212
KP 14	15	19	48	10	14	200	9 640 013 214
KP 18	19	23	51	10	18	200	9 640 013 218
KP 22	23	27	55	10	22	200	9 640 013 222
KP 26	27	31	58	10	26	200	9 640 013 226
KP 30	31	35	65	10	30	200	9 640 013 230
KP 34	35	39	68	10	34	200	9 640 013 234
KP 40	41	45	75	10	40	150	9 640 013 240
KP 46	47	51	81	13	46	100	9 640 013 246
KP 52	53	57	90	13	52	100	9 640 013 252
KP 60	62	66	97	13	60	100	9 640 013 260
KP 82	83	87	128	13	82	25	9 640 013 289



**EJOT Baubefestigungen GmbH**

In der Stockwiese 35

57334 Bad Laasphe · Germany

T +49 2752 908-0

F +49 2752 908-731

[bau@ejot.com](mailto:bau@ejot.com)

[www.ejot.com](http://www.ejot.com)